

CABLE 390 RF: IPEX 4 PLUG TO 0.81 (GR) TO RP SMA JACK S/T PCB MOUNT 6GHZ

SPECIFICATIONS

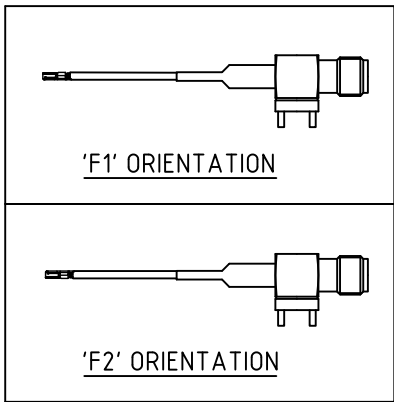
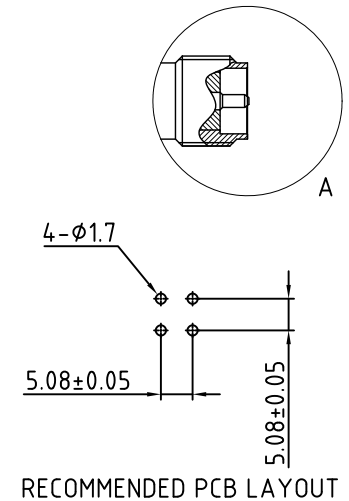
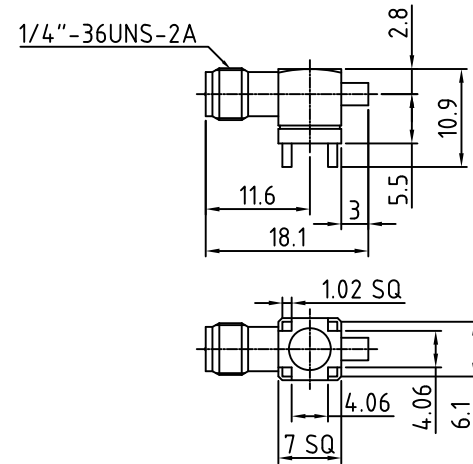
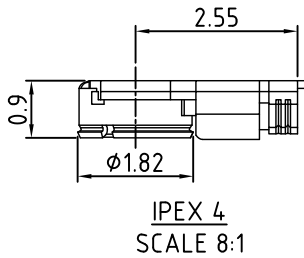
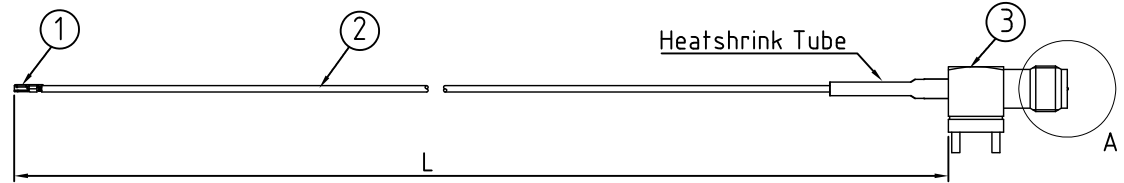
1. IPEX 4 PLUG, P/N: 20448-001R-081.
2. ϕ 0.81MM COAXIAL CABLE, COLOR: GRAY
3. RP SMA JACK S/T PCB MOUNT CABLE TYPE, P/N: RFCT-SMA015-F08.

NOTES:

1. THE ORIENTATION OF CONNECTORS ON DRAWING IS FOR REFERENCE ONLY, IF THE ORDER IS LEFT BLANK THE CONNECTOR WILL NOT HAVE FIXED ORIENTATION.
2. FIXED ORIENTATION IS SUGGESTED FOR CABLE LENGTH 25MM TO 100MM. PLEASE SPECIFY THE FIXED ORIENTATIONS FROM THE ORDER CODE (F1, F2, ETC)
3. CONTACT GRAD CONN IF THE ORIENTATION YOU REQUIRE IS NOT SHOWN.
4. WORKING FREQUENCY RANGE: DC-6GHZ
5. OPERATING TEMPERATURE: -40°C~+85°C.
6. IMPEDANCE: 50 Ohm.

USAGE PRECAUTIONS: CABLES USING 'MICRO' COAX ARE DELICATE:

- (i) HANDLE WITH CARE.
- (ii) DO NOT TWIST; APPLY EXCESSIVE FORCES OR SHARP BENDS TO THE CABLE. DO NOT FORCEFULLY DEFORM WIRES.
- (iii) CONSULT CONNECTOR MANUFACTURER'S DATASHEETS FOR DETAILED NOTES ON HANDLING INSTRUCTIONS.



HOW TO ORDER
CABLE 390 RF - X X X - X X

"L" LENGTH IN MM
eg: 100MM = 100
(MIN. 050-MAX.400
STANDARD = 100, 150, 200)
Tolerance: 50-200mm: \pm 5mm.
201-400mm: \pm 7mm.

ORIENTATION OPTIONS:
BLANK = DOES NOT HAVE A FIXED ORIENTATION
F1 = OPPOSITE ORIENTATION
F2 = SAME ORIENTATION
(SEE NOTES 1, 2, 3 AND DIAGRAMS FOR MORE INFORMATION)

REV. DATE & DRN TO 3/03/20 - INTX RELEASE

Scale: NTS	THIRD ANGLE	Unstated Tolerances: .X \pm 0.2 .XX \pm 0.1 .XXX \pm 0.05 ANGLES \pm 5	Material SEE NOTE
Drawn: CC			
App'd: XXX	Title CABLE ASSEMBLY	NOT TO SCALE	
Date: 31 MAR. '20	Revision: 1.0	Unit: mm	



www.gradconn.com

THIS DRAWING IS CONFIDENTIAL AND MUST NOT BE COPIED OR DISCLOSED WITHOUT WRITTEN CONSENT

Type: Cable 390 RF
CABLE 390 RF
Drawing Number:
Sheet 1 of 1
Drawing © E and O E